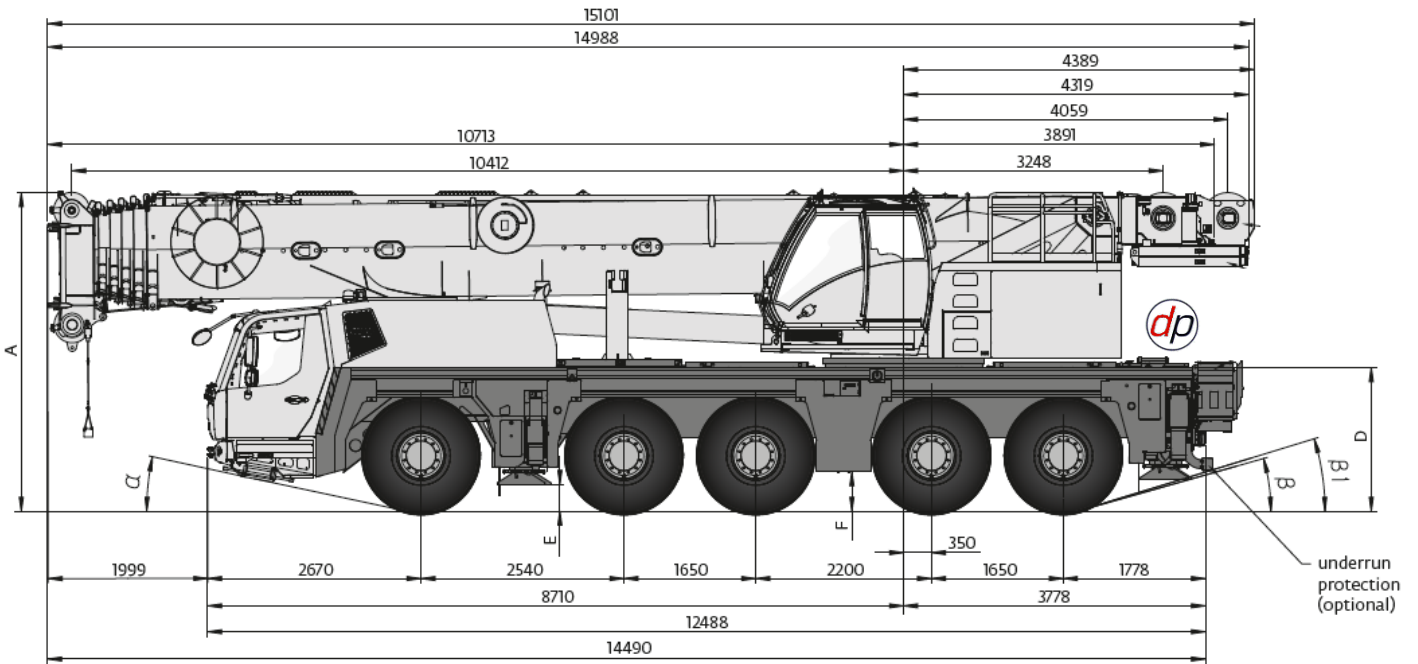




## 150 TONNE ALL TERRAIN CRANE (GROVE GMK 5150L-1)

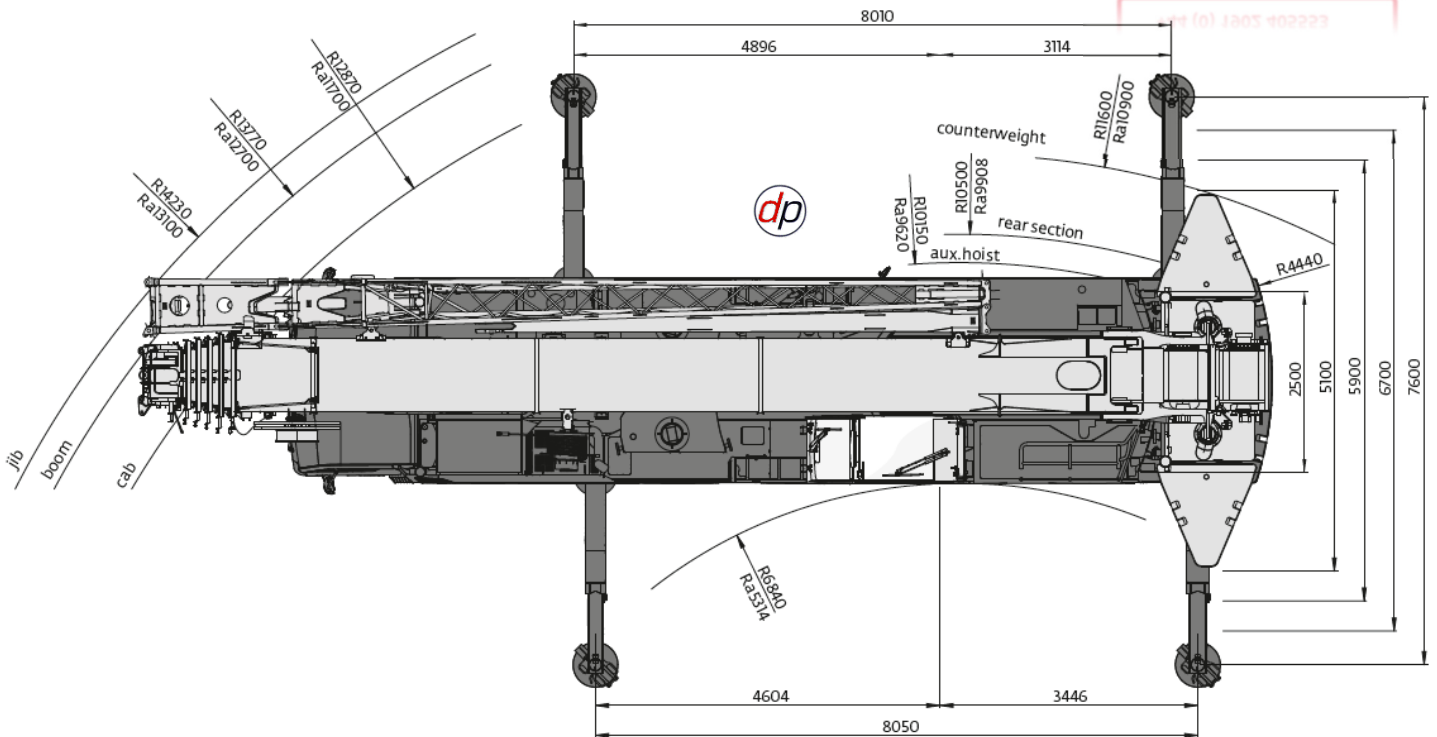


### GROVE GMK5150L-1

**NEED ADVICE?**

We have experienced staff who can help you. We can visit your site to discuss your needs.

+44 (0) 1902 405553



|            | A    | A<br>105 mm** | B    | C    | D    | E   | F   | α   | β   | β <sub>1</sub> |
|------------|------|---------------|------|------|------|-----|-----|-----|-----|----------------|
| R14,00/R25 | 3948 | 3843          | 2750 | 2298 | 1732 | 272 | 431 | 12° | 12° | 13°            |
| R16,00/R25 | 3998 | 3893          | 2750 | 2276 | 1795 | 335 | 494 | 14° | 15° | 16°            |
| R20,50/R25 | 3998 | 3893          | 2900 | 2296 | 1795 | 335 | 494 | 14° | 15° | 16°            |

\*\* Lowered Grove GMK5150L-1





## 150 TONNE ALL TERRAIN CRANE (GROVE GMK 5150L-1)

12,8 - 60,0 m   
 7,6 m   
 360°   
 30,9 t   
 EN 13000   
 **BALLAST AS CARRIED FOR UK ROAD TRAVEL.**

| m    | 12,8  | 18,0  | 23,3 | 27,9 | 32,6 | 37,0 | 40,3 | 43,5 | 47,2 | 51,1 | 54,8 | 57,9 | 60,0 | m    |
|------|-------|-------|------|------|------|------|------|------|------|------|------|------|------|------|
| 3,0  | 107,0 | 106,0 | 89,5 |      |      |      |      |      |      |      |      |      |      | 3,0  |
| 4,0  | 90,5  | 90,5  | 86,5 | 65,0 |      |      |      |      |      |      |      |      |      | 4,0  |
| 5,0  | 78,0  | 78,0  | 77,5 | 64,0 | 52,0 |      |      |      |      |      |      |      |      | 5,0  |
| 6,0  | 68,0  | 69,0  | 68,0 | 60,0 | 51,5 | 40,0 |      |      |      |      |      |      |      | 6,0  |
| 7,0  | 58,0  | 58,5  | 57,5 | 55,0 | 48,5 | 40,0 | 33,0 | 27,5 |      |      |      |      |      | 7,0  |
| 8,0  | 50,0  | 50,5  | 49,5 | 50,0 | 45,5 | 39,0 | 33,0 | 27,5 | 24,0 |      |      |      |      | 8,0  |
| 9,0  | 43,5  | 44,0  | 44,0 | 44,0 | 42,5 | 37,0 | 32,0 | 27,5 | 24,0 | 19,1 | 15,8 |      |      | 9,0  |
| 10,0 | 38,5  | 39,5  | 39,0 | 38,0 | 37,5 | 34,5 | 30,5 | 27,5 | 24,0 | 19,1 | 15,8 | 12,7 | 11,8 | 10,0 |
| 11,0 |       | 35,5  | 35,0 | 33,5 | 33,0 | 32,5 | 29,0 | 26,5 | 24,0 | 19,1 | 15,8 | 12,7 | 11,8 | 11,0 |
| 12,0 |       | 32,0  | 31,5 | 31,0 | 29,5 | 29,5 | 27,0 | 25,0 | 23,0 | 19,1 | 15,8 | 12,7 | 11,8 | 12,0 |
| 13,0 |       | 28,5  | 29,0 | 28,5 | 26,5 | 26,5 | 25,5 | 24,0 | 22,0 | 18,9 | 15,8 | 12,7 | 11,8 | 13,0 |
| 14,0 |       | 25,0  | 25,5 | 25,5 | 24,5 | 24,0 | 23,0 | 22,5 | 21,0 | 18,3 | 15,8 | 12,7 | 11,8 | 14,0 |
| 15,0 |       | 21,5  | 23,0 | 22,5 | 23,0 | 22,0 | 21,0 | 20,5 | 19,9 | 17,5 | 15,7 | 12,7 | 11,8 | 15,0 |
| 16,0 |       |       | 20,5 | 21,0 | 21,5 | 20,0 | 19,5 | 18,8 | 18,9 | 16,7 | 15,2 | 12,7 | 11,8 | 16,0 |
| 18,0 |       |       | 17,7 | 17,9 | 17,6 | 17,0 | 17,2 | 15,8 | 16,1 | 15,3 | 14,2 | 12,1 | 11,8 | 18,0 |
| 20,0 |       |       | 13,0 | 15,1 | 14,8 | 14,9 | 14,7 | 13,8 | 13,8 | 13,4 | 13,2 | 11,3 | 11,3 | 20,0 |
| 22,0 |       |       |      | 12,9 | 12,6 | 13,1 | 12,5 | 12,8 | 11,9 | 11,9 | 11,8 | 10,5 | 10,6 | 22,0 |
| 24,0 |       |       |      | 11,1 | 10,8 | 11,3 | 10,9 | 11,0 | 10,8 | 10,8 | 10,3 | 9,7  | 9,9  | 24,0 |
| 26,0 |       |       |      |      | 9,3  | 9,8  | 10,0 | 9,5  | 9,6  | 9,5  | 9,1  | 9,0  | 8,9  | 26,0 |
| 28,0 |       |       |      |      | 8,1  | 8,5  | 8,8  | 8,4  | 8,3  | 8,2  | 8,1  | 8,0  | 7,8  | 28,0 |
| 30,0 |       |       |      |      | 5,6  | 7,5  | 7,7  | 7,7  | 7,3  | 7,2  | 7,3  | 7,1  | 6,9  | 30,0 |
| 32,0 |       |       |      |      |      | 6,6  | 6,8  | 6,9  | 6,4  | 6,3  | 6,4  | 6,2  | 6,1  | 32,0 |
| 34,0 |       |       |      |      |      | 5,8  | 6,1  | 6,1  | 5,8  | 5,5  | 5,7  | 5,4  | 5,2  | 34,0 |
| 36,0 |       |       |      |      |      |      | 5,4  | 5,4  | 5,3  | 4,8  | 4,9  | 4,7  | 4,5  | 36,0 |
| 38,0 |       |       |      |      |      |      | 4,1  | 4,8  | 4,7  | 4,1  | 4,3  | 4,0  | 3,9  | 38,0 |
| 40,0 |       |       |      |      |      |      |      | 4,4  | 4,1  | 3,6  | 3,8  | 3,5  | 3,3  | 40,0 |
| 42,0 |       |       |      |      |      |      |      | 3,9  | 3,6  | 3,1  | 3,2  | 3,0  | 2,8  | 42,0 |
| 44,0 |       |       |      |      |      |      |      |      | 3,2  | 2,6  | 2,8  | 2,5  | 2,4  | 44,0 |
| 46,0 |       |       |      |      |      |      |      |      | 2,8  | 2,2  | 2,4  | 2,1  | 2,0  | 46,0 |
| 48,0 |       |       |      |      |      |      |      |      | 2,4  | 1,9  | 2,0  | 1,7  | 1,6  | 48,0 |
| 50,0 |       |       |      |      |      |      |      |      |      |      | 1,7  | 1,4  | 1,3  | 50,0 |
| 52,0 |       |       |      |      |      |      |      |      |      |      | 1,4  | 1,1  | 1,0  | 52,0 |
| 54,0 |       |       |      |      |      |      |      |      |      |      |      | 0,8  |      | 54,0 |

Grove GMK5150L-1

12,8 - 60,0 m   
 7,6 m   
 360°   
 44,5 t   
 EN 13000   
 **REQUIRES EXTRA BALLAST DELIVERY BY TRANSPORT.**

| m    | 12,8   | 18,0  | 23,3 | 27,9 | 32,6 | 37,0 | 40,3 | 43,5 | 47,2 | 51,1 | 54,8 | 57,9 | 60,0 | m    |
|------|--------|-------|------|------|------|------|------|------|------|------|------|------|------|------|
| 3,0  | 150,0* |       |      |      |      |      |      |      |      |      |      |      |      | 3,0  |
| 3,0  | 108,0  | 107,0 | 89,5 |      |      |      |      |      |      |      |      |      |      | 3,0  |
| 4,0  | 91,5   | 91,5  | 86,5 | 65,0 |      |      |      |      |      |      |      |      |      | 4,0  |
| 5,0  | 79,0   | 79,0  | 78,5 | 64,0 | 52,0 |      |      |      |      |      |      |      |      | 5,0  |
| 6,0  | 69,0   | 69,5  | 69,0 | 60,0 | 51,5 | 40,0 |      |      |      |      |      |      |      | 6,0  |
| 7,0  | 61,5   | 62,0  | 61,0 | 55,0 | 48,5 | 40,0 | 33,0 | 27,5 |      |      |      |      |      | 7,0  |
| 8,0  | 54,5   | 55,0  | 54,0 | 50,5 | 45,5 | 39,0 | 33,0 | 27,5 | 24,0 |      |      |      |      | 8,0  |
| 9,0  | 47,5   | 48,5  | 47,5 | 47,0 | 42,5 | 37,0 | 32,0 | 27,5 | 24,0 | 19,1 | 15,8 |      |      | 9,0  |
| 10,0 | 42,0   | 43,0  | 42,0 | 42,5 | 39,5 | 34,5 | 30,5 | 27,5 | 24,0 | 19,1 | 15,8 | 12,7 | 11,8 | 10,0 |
| 11,0 |        | 38,5  | 37,5 | 38,0 | 37,0 | 32,5 | 29,0 | 26,5 | 24,0 | 19,1 | 15,8 | 12,7 | 11,8 | 11,0 |
| 12,0 |        | 34,5  | 34,5 | 34,5 | 34,5 | 30,5 | 27,0 | 25,0 | 23,0 | 19,1 | 15,8 | 12,7 | 11,8 | 12,0 |
| 13,0 |        | 32,0  | 31,5 | 31,0 | 32,0 | 29,0 | 25,5 | 24,0 | 22,0 | 18,9 | 15,8 | 12,7 | 11,8 | 13,0 |
| 14,0 |        | 29,5  | 29,0 | 28,5 | 29,0 | 27,5 | 24,0 | 23,0 | 21,0 | 18,3 | 15,8 | 12,7 | 11,8 | 14,0 |
| 15,0 |        | 26,0  | 26,5 | 26,0 | 26,5 | 26,0 | 22,5 | 21,5 | 19,9 | 17,5 | 15,7 | 12,7 | 11,8 | 15,0 |
| 16,0 |        |       | 24,5 | 24,0 | 24,5 | 24,5 | 21,5 | 20,5 | 18,9 | 16,7 | 15,2 | 12,7 | 11,8 | 16,0 |
| 18,0 |        |       | 22,0 | 21,5 | 21,0 | 22,0 | 19,2 | 18,5 | 17,3 | 15,3 | 14,2 | 12,1 | 11,8 | 18,0 |
| 20,0 |        |       | 16,9 | 18,4 | 17,8 | 18,6 | 17,3 | 16,7 | 15,8 | 14,1 | 13,2 | 11,3 | 11,3 | 20,0 |
| 22,0 |        |       |      | 15,7 | 16,1 | 16,0 | 15,5 | 15,1 | 14,5 | 13,0 | 12,3 | 10,5 | 10,6 | 22,0 |
| 24,0 |        |       |      | 13,6 | 14,4 | 13,8 | 14,2 | 13,5 | 13,4 | 12,0 | 11,4 | 9,7  | 9,9  | 24,0 |
| 26,0 |        |       |      |      | 12,7 | 12,1 | 12,6 | 11,7 | 12,2 | 11,1 | 10,5 | 9,0  | 9,2  | 26,0 |
| 28,0 |        |       |      |      | 11,2 | 11,3 | 11,1 | 10,5 | 10,7 | 10,3 | 9,8  | 8,4  | 8,5  | 28,0 |
| 30,0 |        |       |      |      | 7,7  | 10,4 | 9,8  | 9,9  | 9,4  | 9,4  | 9,1  | 7,7  | 7,9  | 30,0 |
| 32,0 |        |       |      |      |      | 9,3  | 8,7  | 9,0  | 8,4  | 8,4  | 8,3  | 7,2  | 7,4  | 32,0 |
| 34,0 |        |       |      |      |      | 7,4  | 7,8  | 8,1  | 7,6  | 7,4  | 7,8  | 6,8  | 6,9  | 34,0 |
| 36,0 |        |       |      |      |      |      | 7,3  | 7,1  | 6,9  | 7,0  | 6,4  | 6,4  | 6,4  | 36,0 |
| 38,0 |        |       |      |      |      |      | 6,2  | 6,5  | 6,6  | 6,5  | 6,2  | 6,1  | 6,0  | 38,0 |
| 40,0 |        |       |      |      |      |      |      | 5,9  | 5,9  | 5,8  | 5,6  | 5,7  | 5,5  | 40,0 |
| 42,0 |        |       |      |      |      |      |      | 5    | 5,4  | 5,2  | 5,0  | 5,1  | 5,0  | 42,0 |
| 44,0 |        |       |      |      |      |      |      |      | 4,8  | 4,7  | 4,6  | 4,6  | 4,5  | 44,0 |
| 46,0 |        |       |      |      |      |      |      |      | 3,7  | 4,3  | 4,3  | 4,1  | 4,0  | 46,0 |
| 48,0 |        |       |      |      |      |      |      |      | 3,3  | 3,8  | 4,0  | 3,7  | 3,6  | 48,0 |
| 50,0 |        |       |      |      |      |      |      |      |      |      | 3,5  | 3,3  | 3,1  | 50,0 |
| 52,0 |        |       |      |      |      |      |      |      |      |      | 3,2  | 2,9  | 2,7  | 52,0 |
| 54,0 |        |       |      |      |      |      |      |      |      |      |      | 2,5  | 2,4  | 54,0 |
| 56,0 |        |       |      |      |      |      |      |      |      |      |      |      | 2,1  | 56,0 |

\*Nominal capacity - Over rear with special equipment. Grove GMK5150L-1

