



T: 01902 405553

F: 01902 354420

operations@cranehiremidlands.com

www.cranehiremidlands.com

# Dewsbury & Proud Ltd

Contract Lifting & Crane Hire Specialists

## MRT4 Dual Circuit [320kg]

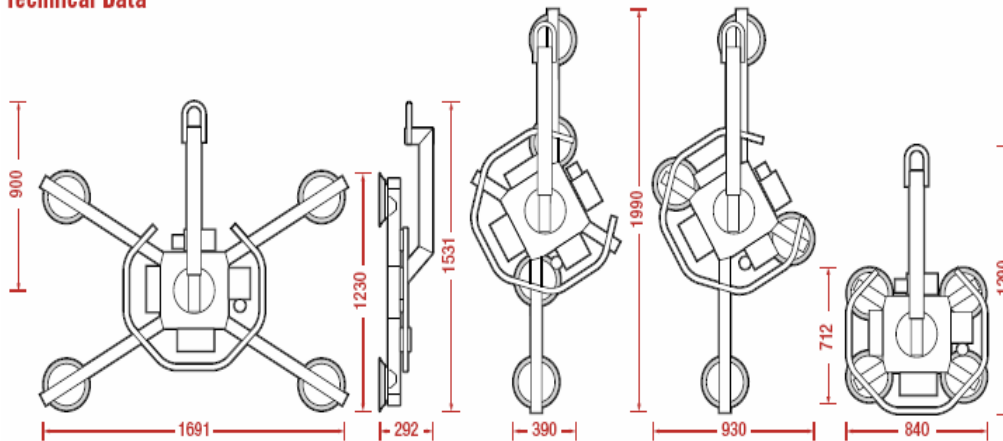
The MRT4, with dual-circuit vacuum system technology for extra safety, is built for versatility. It delivers 360° rotation with 90° tilt from any rotation position. Using the extension arms and movable pads, three frame configurations are possible to cover most load sizes on site or in the workshop. A variable length lifting arm may be specified, allowing fitting under soffits and overhangs.

- Dual, independent vacuum circuits with two vacuum reserve tanks and two non-return valves
- Vacuum gauge for each circuit
- Manual 360° lockable rotation (continuous)
- Manual tilting from vertical to horizontal
- On-board maintenance-free vacuum pump
- 12v rechargeable battery with integral 110v or 240v charger and battery energy gauge
- Audio-visual low vacuum alert
- Four extension arms allow alternative configurations



## 3 Extra Frame Configurations

### Technical Data



## Technical Specifications

<b>Vacuum system</b>	dual circuit	1 pump, 2 vacuum tanks
<b>Suitable for lifting</b>	material properties:	gastight
	surface:	smooth
	example:	glass, plastic boards, ceramic plates, sheet metals, coated boards
<b>Suction cup type</b>	approx diameter:	305mm
<b>Suction cup quality</b>	description:	black rubber, not abrasion resistant, heat resistant up to 100°C
<b>Number of suction cups</b>	cups:	4
<b>Loading capacity of frame</b>	vertical:	320kg
	horizontal:	320kg
<b>Weight of lifter</b>	approx:	58kg
<b>Structural depth</b>	approx:	292mm
<b>Output</b>	approx:	1.5m <sup>2</sup> /h
<b>Voltage</b>	pump:	12v DC from rechargeable battery
	battery charger:	110v/240v 50/60Hz single phase factory selectable
<b>Standard accessories</b>	standard:	4 x extension arms
<b>Optional accessories</b>	optional:	variable length lifting arm, extra length extension arms