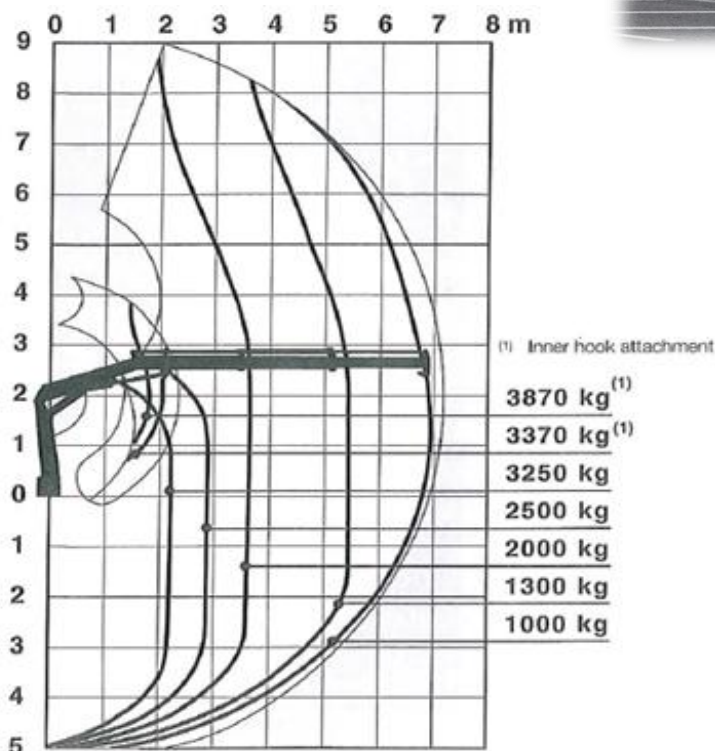


4,500kg LORRY LOADER CRANE



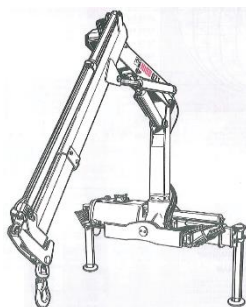
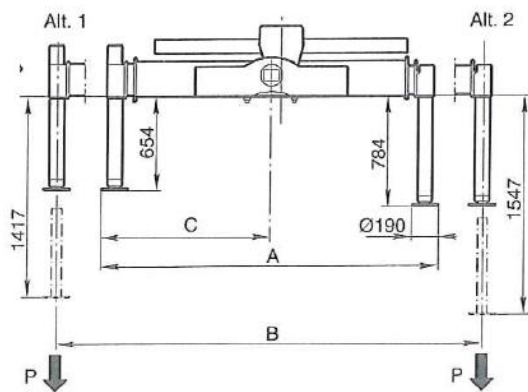
- **Iveco Ford Truck**
- **Payload 4,500kg**
- **Bed Dimensions 4m x 2.3m**
- **Bed Height 1.4m**



LOAD DIAGRAM

To the left of the curve the indicated loads can be handled with any loader function provided that the positions of the booms are optimized from a force point of view.

NEED ADVICE?
 We have experienced staff who can help you. We can visit your site to discuss your needs.
+44 (0) 1902 405553



• Outrigger legs		A	B	C	P kN	Weight kg
	Fixed	2281		1141	102,5	89
	Manually extendable	2353	3250	1177	64,2	136
		2353	4501	1177	44,4	186
		2353	5320	1177	38,5	286