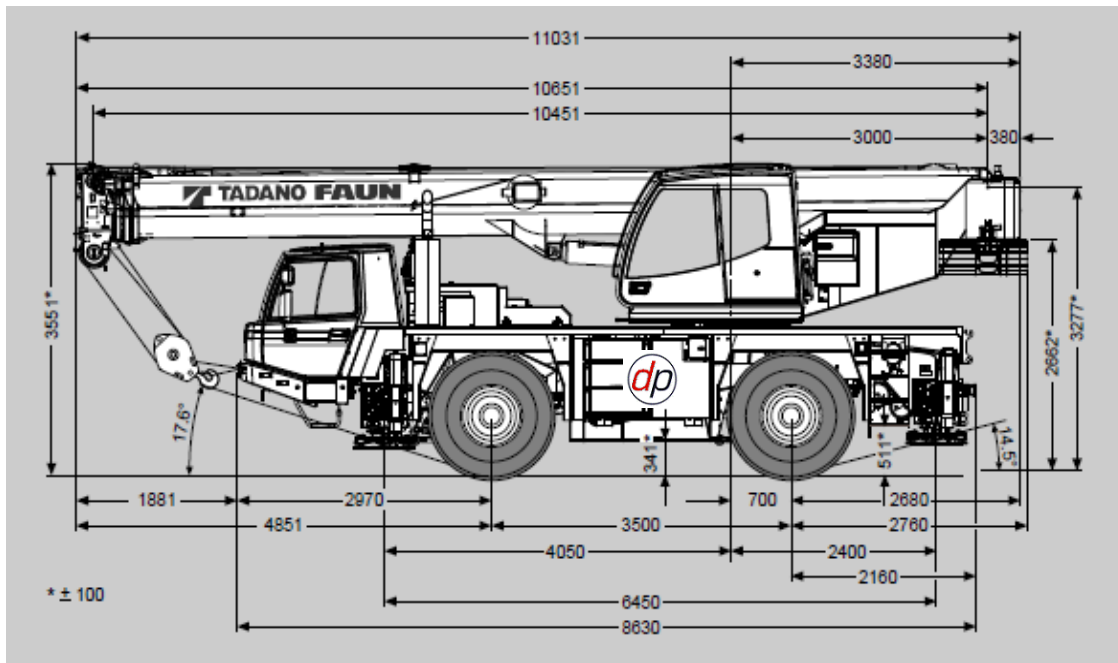
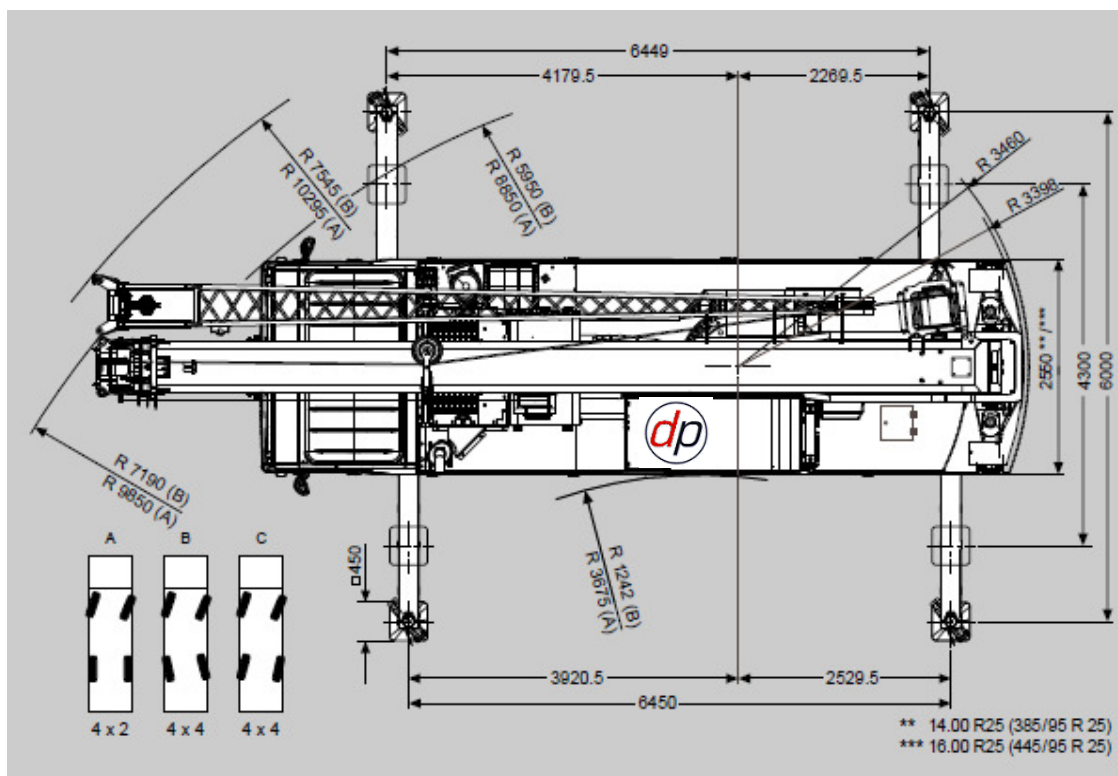


40 ALL TERRAIN CRANE – (TADANO FAUN ATF 40G-2)



TADANO FAUN ATF 40G-2 **dp**



40 ALL TERRAIN CRANE – (TADANO FAUN ATF 40G-2)

		DIN/ISO/EN							
m	10.5 m*	10.5 m	15.4 m	20.4 m	25.3 m	30.3 m	32.7 m	35.2 m	
2.5	40.0**								
3.0	36.6**	32.1**	20.0	20.0	15.1				
3.5	33.9**	29.0	20.0	20.0	15.1				
4.0	30.6	26.4	20.0	20.0	15.1				
4.5	27.0	24.2	20.0	20.0	15.1	10.3			
5.0	24.1	22.2	20.0	20.0	14.8	10.3			
6.0	19.6	18.6	18.8	18.8	13.7	10.3	8.9	7.6	
7.0	15.0	15.0	15.3	15.4	12.7	10.3	8.9	7.6	
8.0			12.3	12.4	11.7	9.6	8.8	7.6	
9.0			10.2	10.3	10.4	9.0	8.2	7.6	
10.0			8.6	8.7	8.8	8.4	7.7	7.1	
11.0			7.4	7.5	7.6	7.6	7.2	6.7	
12.0			6.5	6.5	6.6	6.7	6.7	6.3	
14.0				5.1	5.1	5.2	5.2	5.2	
16.0				4.1	4.1	4.2	4.2	4.2	
18.0					3.4	3.4	3.4	3.4	
20.0					2.8	2.8	2.8	2.8	
22.0					2.3	2.3	2.4	2.4	
24.0						2.0	2.0	2.0	
26.0						1.7	1.7	1.7	
28.0							1.4	1.4	
30.0								1.2	
32.0								1.0	
%	I	0	0	20	40	60	80	90	100
	II	0	0	20	40	60	80	90	100
	III	0	0	20	40	60	80	90	100

TADANO FAUN ATF 40G-2

