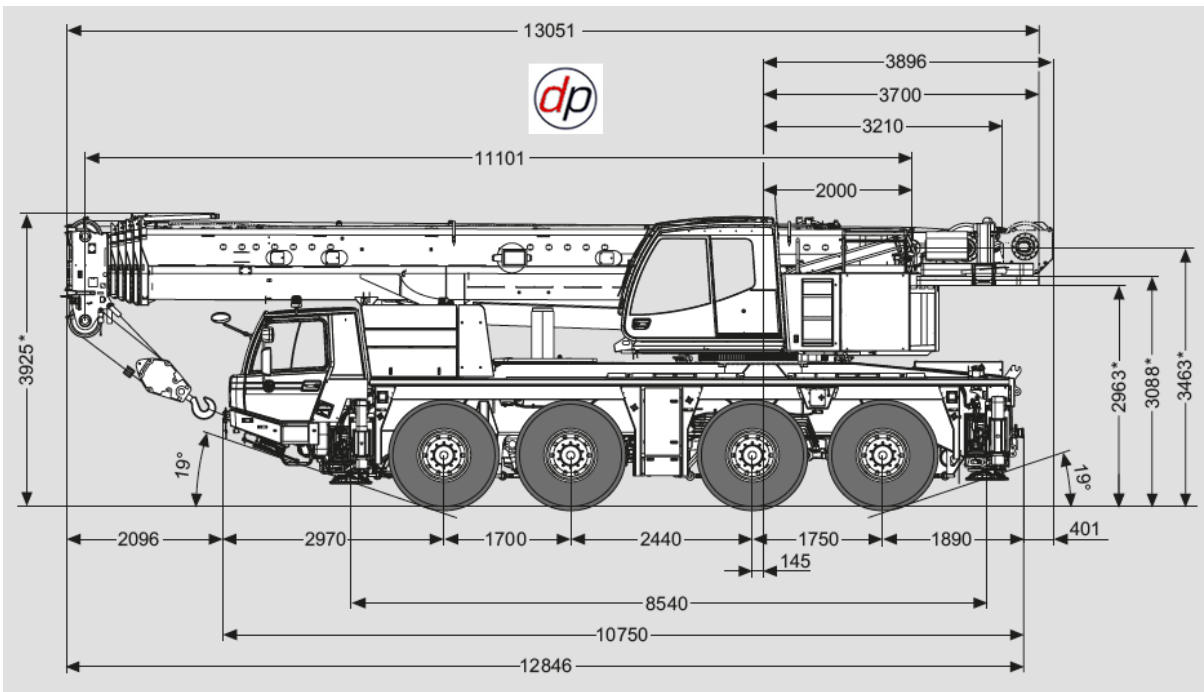
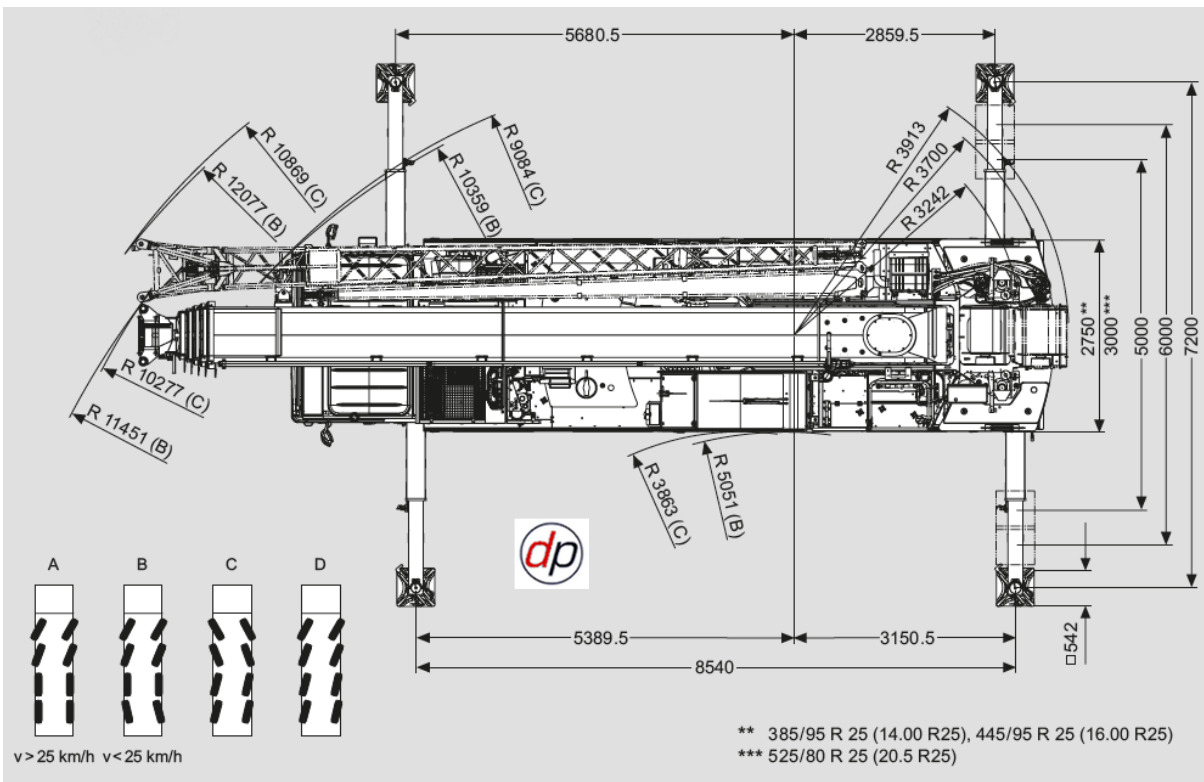


100 TONNE ALL TERRAIN CRANE – (TADANO ATF 100G-4)
- SHORT BOOM -



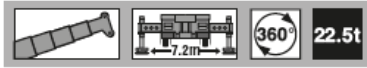
TADANO ATF 100G-4



v > 25 km/h v < 25 km/h

** 385/95 R 25 (14.00 R25), 445/95 R 25 (16.00 R25)
 *** 525/80 R 25 (20.5 R25)

100 TONNE ALL TERRAIN CRANE – (TADANO FAUN ATF 100G-4)
- SHORT BOOM -



BALLAST AS CARRIED FOR UK ROAD TRAVEL.

m	11.1 m*	11.1 m	14.8 m	18.5 m	22.1 m	25.8 m	29.5 m	33.2 m	36.9 m	40.5 m	44.2 m	47.9 m	51.2 m
2.3	100.0												
2.5	90.0												
3.0	81.6	76.1	65.0	65.0									
3.5	74.6	69.9	65.0	65.0	50.0								
4.0	68.3	64.1	63.5	61.4	50.0	41.3							
4.5	62.7	59.0	58.5	56.7	50.0	41.3							
5.0	57.8	54.6	54.0	52.7	50.0	39.2	31.6						
6.0	50.0	47.2	46.6	46.8	45.9	34.9	31.6	23.8					
7.0	42.5	41.2	40.7	40.8	40.8	33.0	28.9	23.8	19.7	15.8			
8.0	36.6	35.5	35.4	35.5	35.8	31.1	28.5	23.8	19.7	15.8	12.9		
9.0	24.9	24.0	31.2	31.4	31.6	29.4	28.5	22.6	19.7	15.8	12.9	10.2	
10.0			26.7	26.9	27.3	28.0	27.0	20.9	19.6	15.8	12.9	10.2	8.9
11.0			22.7	23.4	24.7	24.9	24.0	19.4	18.2	15.8	12.9	10.2	8.9
12.0			20.0	21.9	21.9	21.7	21.3	18.0	17.0	15.8	12.9	10.2	8.9
14.0				17.2	17.3	17.0	16.6	16.2	14.9	14.1	12.9	10.2	8.9
16.0				14.0	14.1	13.8	13.4	13.9	13.0	12.6	11.8	10.2	8.9
18.0					11.7	11.5	11.1	11.5	11.7	10.8	10.8	10.0	8.9
20.0					9.2	9.7	9.3	9.7	9.9	9.5	9.5	9.1	8.5
22.0						8.3	8.4	8.3	8.5	8.6	8.4	8.1	7.6
24.0							7.8	7.2	7.7	7.4	7.3	7.0	6.9
26.0							6.9	6.5	6.7	6.5	6.3	6.0	6.0
28.0								6.0	5.9	5.7	5.5	5.2	5.2
30.0								5.3	5.2	5.0	4.8	4.5	4.5
32.0									4.7	4.4	4.3	3.9	3.9
34.0									4.2	3.9	3.7	3.4	3.4
36.0										3.5	3.3	3.0	3.0
38.0										3.1	2.9	2.6	2.6
40.0											2.6	2.2	2.2
42.0											2.3	1.9	1.9
44.0												1.7	1.6
46.0													1.4
48.0													1.2

* Nach hinten / * Over rear / * A l'arrière / * Sobre la parte trasera

